


## LED Intelligent Dimming Signal Converter

- Dimming interface: DMX/RDM, Push Dim.
- Optional output: 0-10V, 5V PWM, 10V PWM.
- With the RDM remote device management protocol.
- Supports DMX512 signal bi-directional communication.
- 4 channels output.
- Built-in relay for ON/OFF control of LED driver.
- Dimming range: 0.1~100%.
- Full protective plastic housing.
- Compliant with Safety Extra Low Voltage standard.
- Suitable for indoor environments.



Dimmable:  
  
 0.1%-100%



### Main Characteristics

Dimming interface:	DMX/RDM, Push Dim	
Output Signal:	0-10V × 4CH (default) 5V PWM × 4CH 10V PWM × 4CH	} Default:0-10V, if need the other two models, please specify when make orders.
Dimming Range:	0.1~100%	
Output Signal Logic:	High potential	
Input Voltage Range:	100-240Vac ± 10%	
Frequency:	50/60Hz	
AC Current(typ.):	0.02A	
Inrush Current(typ.):	Cold start 25A@230Vac	

Leakage Current:	<0.5mA/240Vac
Power Consumption:	115Vac@0.8W 230Vac@1.0W
Relay Switch:	240Vac/8A
Working Temperature:	tc: 75°C ta: -30°C ~ 55°C
Working Humidity:	20 ~ 95%RH, non-condensing
Storage Temp., Humidity:	-40 ~ 80°C, 10~95%RH
Vibration:	10~500Hz, 2G 12min./1cycle, period for 72min. each along X, Y, Z axes.

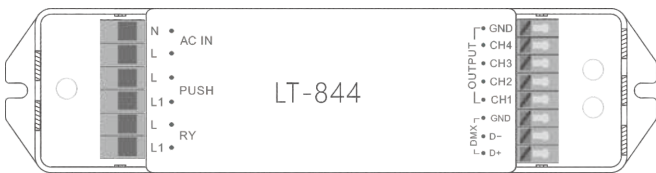
### Others

Dimension:	175×44×30mm (L×W×H)
Packing:	178×48×33mm (L×W×H)
Weight(N.W.):	120g±10g

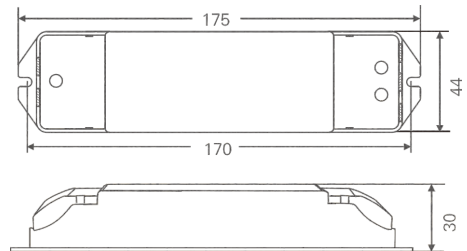
### Safety & EMC

Withstand Voltage:	I/P-O/P: 3750Vac;
Isolation Resistance:	I/P-O/P: 100MΩ/500VDC/25°C/70%RH
Safety Standards:	IEC/EN61347-1, IEC/EN61347-2-13
EMC Emission:	EN55015, EN61000-3-2 Class C, IEC 61000-3-3
EMC Immunity:	EN61000-4-2,3,4,5,6,8,11 EN61547

### Configuration Diagram



### Dimensions



### Push Dimming



Reset Switch

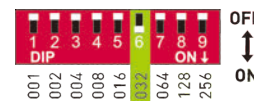
- On/off control: Short press.
- Stepless dimming: Long press.
- With every other long press, the light level goes to the opposite direction.
- Dimming memory: Brightness will be the same as previously adjusted when turning off and on again.

**RDM Mode:** The dip switch 1-9 are OFF .

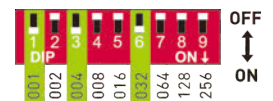


### DMX Address Setting:

E.g.1: Set Initial Address To 32.



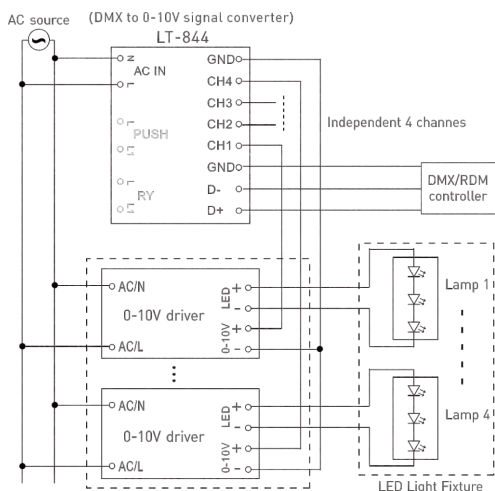
E.g.2: Set Initial Address To 37.



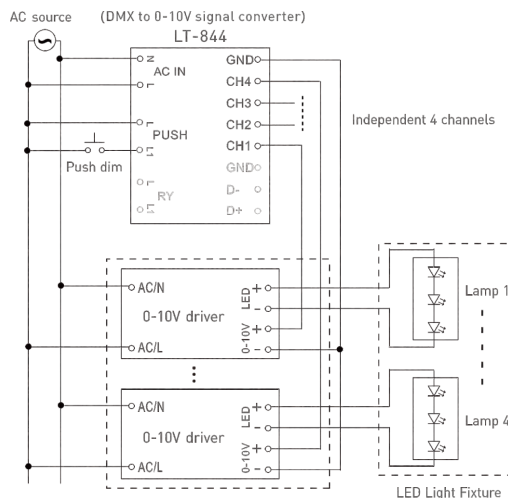
001+004+032=37

DMX address value = the total value of [1-9]  
 To get the place value when in "on" position,  
[www.ltech-led.com](http://www.ltech-led.com)

## DMX/RDM Connection

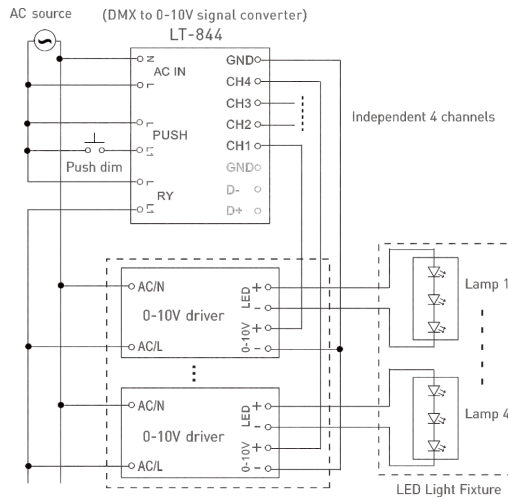
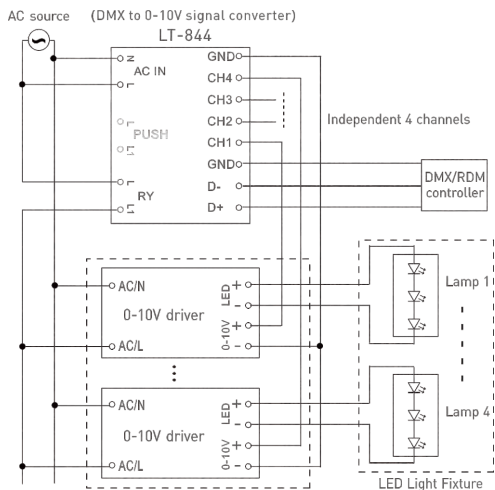


## Push Dim Connection



- \* Please make sure the maximum voltage drop between DMX/RDM controller and LT-844 should not be higher than 2V. (Maximum cable length for 1.5mm<sup>2</sup> cables is 300m)
- \* Each channel is individually addressable, light intensity of LED driver connected to the same channel will be the same; the maximum allowable voltage drop between the LT-844 and LED driver should not be higher than 0.5V; Maximum cable length for 1.5mm<sup>2</sup> cable is 300m.

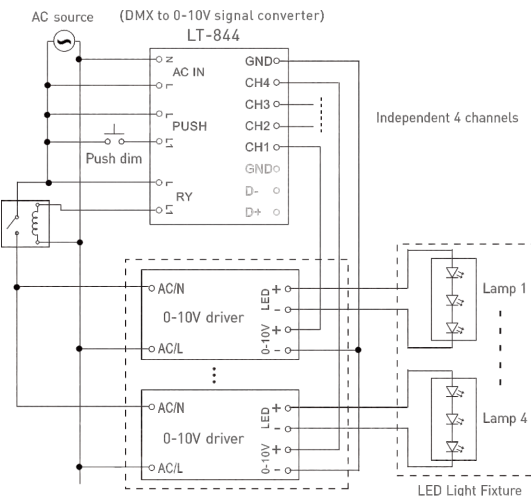
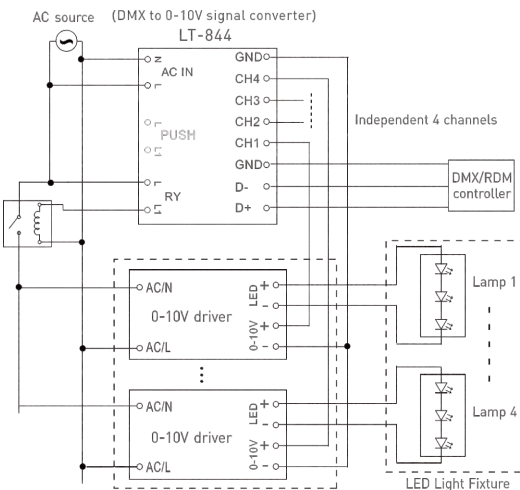
## Built-in Relay Connection



- \* The LT-844 is equipped with a relay that can be used to turn ON/OFF LED driver. The relay is in the closed position when the CH1 generates dimming signal, the relay is in the open position when there is no output signal on the CH1.

## External Relay Connection

An additional magnetic switch is needed when the total input current of the LED driver is higher than 8A or inrush current is greater than 50A, please refer to the figure.



- \* Note: Light intensity of LEDs in the same group may be decreased when one of the LED driver is AC OFF.